

# TERRAIN

RTR TRUCK KIT W/CRUSHER BODY SET



## Warranty

RC4WD non-electrical products are warranted to be free of defects in materials and workmanship when new. Our limited warranty does not cover damages due to normal wear and tear, user error of assembly or installation, user modifications, user's failure to perform routine maintenance, addition of after-market parts or option parts. This warranty lasts 30 days after arrival for original purchaser.

In the event of a defect under this warranty, RC4WD will, at our discretion, replace the product, provided our inspection indicates that an original defect exists. RC4WD reserves the right to replace any product which is no longer available with a product of comparable value and function. If RC4WD determines the repair is not covered under warranty guidelines, we will contact you to discuss your options. If you have any questions, please contact us via email at [support@rc4wd.com](mailto:support@rc4wd.com).

RC4WD warrants its electronics for 30 days from date of arrival. This covers all electrical items except items that are already noted on the individual product page.





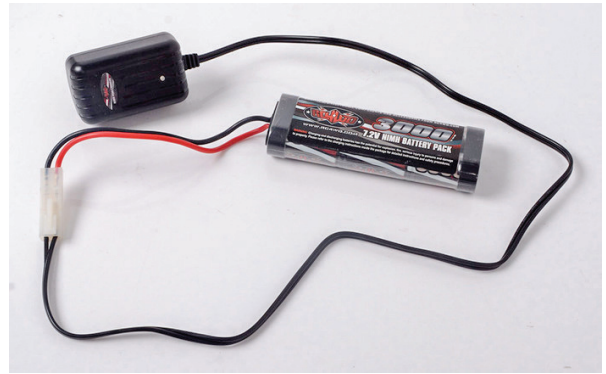
## BATTERY CHARGING

1. Only change batteries that are cool to the touch and are not damaged (swollen, bent, broken or punctured).
2. Connect the charger to the proper wall receptacle noting proper polarity.
3. Plug the battery's connector into the charger's connector. The LED will light red as it is charging.
4. The charger will emit a tone and the LED will change to green once fully charged. NOTE: Monitor the battery while the charging and end the charging process if the charger or battery becomes abnormally hot.
5. Always unplug the battery from the charger immediately upon completion of charging.

**CAUTION:** Overcharging a battery may cause a fire.



Do not leave battery and charger unattended



## SPECIFICATIONS

Input Voltage	110VAC~240VAC
Output Current	650MA
Charging Model	pre-charged, steady current, monitoring, automatic protection
Charging Capability	5-8 NiMH batteries

## ⚠ WARNING

This charger is designed to charge only 5~8 Cell NiMH batteries. Make sure that the battery is compatible with the charger's charge rate.

Never let children operate unsupervised while charger is in use.

Adult supervision is recommended at all times.

The charger is for indoor use only. Do not use in case of high humidity conditions or condensation.

Do not attempt to open or modify the charger's case.

Do not let objects or liquids penetrate the charger's cooling vents.

The charger may get hot during use. Use the charger in a well ventilated area, away from people and electrically conductive or inflammable materials.

If the battery has suspicious reactions during the charge or discharge, such as overheating, venting or leaking, immediately disconnect the battery and store it in a safe location, away from people and inflammable materials.



## NIMH BATTERY

**IMPORTANT:** To prevent battery from leaking, overheating or exploding, carefully follow these instructions! Misuse of battery may lead to leakage, heat generation or explosion. Battery may become hot during use. Battery temperature may exceed 80C (175F) even under normal operation and may cause burns or alter the shape of some materials.

### ⚠ DANGER

- Failure to follow instructions associated with this symbol risks injury or even death!
- If battery liquid enters the eye, immediately flush continuously with clean running water and seek medical treatment. Serious and permanent eye damage may occur.



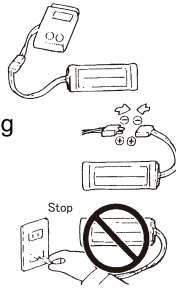
**⚠ WARNING**

- Failure to follow instructions associated with this symbol risks injury or even death!
- Avoid battery liquid contact with skin and clothing.  
If contact occurs, remove contaminated clothing and wash skin thoroughly with water.

**Before Use:** Read and understand the battery and charger operating instructions before recharging.

**⚠ DANGER**

- ONLY use genuine charger unit for recharging brand NiMH batteries.
- ENSURE polarity is correct when plugging a battery into the charger unit.
- NEVER plug a battery directly into household outlets or cigarette lighters in cars!



**⚠ WARNING**

- NEVER place a battery into water.
- IF you experience irregular noise, temperature or any leaking from your battery, stop using it immediately!
- KEEP battery away from exposed flame, high temperatures and humidity.



**NOTE:** Before any use of this battery, ensure that it is fully charged.

**During use:** Always monitor a battery while it's charging so you can react to any unexpected problems.

**⚠ DANGER**

- NiMH batteries are ONLY for use in R/C (radio control) models! Do NOT use them for any other purpose!
- NEVER disassemble or modify a battery!



**⚠ WARNING**

- Do NOT remove or cut the outer tube from battery!
- DISCONTINUE charging immediately if the charge time has been exceeded, even if the battery is not fully charged.



Battery is recyclable. At the end of its useful life, under various national, state or local laws, it may be illegal to dispose of a battery into the municipal waste stream. Check with your local solid waste officials for details in your area for recycling options or proper disposal.

**⚠ WARNING**

**Before using, customers must read information below:**

- Use caution when holding the battery. Do not drop or attempt to dismantle the battery or any parts of the battery.
- Do not mix usage of old and new cells or cells of different sizes, different chemistry and/or types in the same battery assembly.
- Do not heat or dispose of battery into fire, water and/or other liquids.
- Do not place the battery into microwave, washing machine and/or drying machine.
- Do not use a damaged battery (such as swollen, deformed, voltage is lower than 0.9V, destroyed, etc.)
- Do not place batteries near heating sources or expose to direct sunlight for long periods. Elevated temperatures may result in reduced battery life cycle.
- Do not short-circuit the battery's positive and negative terminals.
- Do not charge, discharge or store the battery above or below the battery specifications.
- Do not disassemble the battery.
- Before charging battery, ensure polarity is correct.
- Keep battery far away from easily flammable objects and children while charging.
- Do not charge when battery is hot to the touch. Allow battery to cool before recharging.
- Never leave batteries unattended while charging.
- Do not leave battery installed in your model while not in use. Do not charge the battery while installed in models.

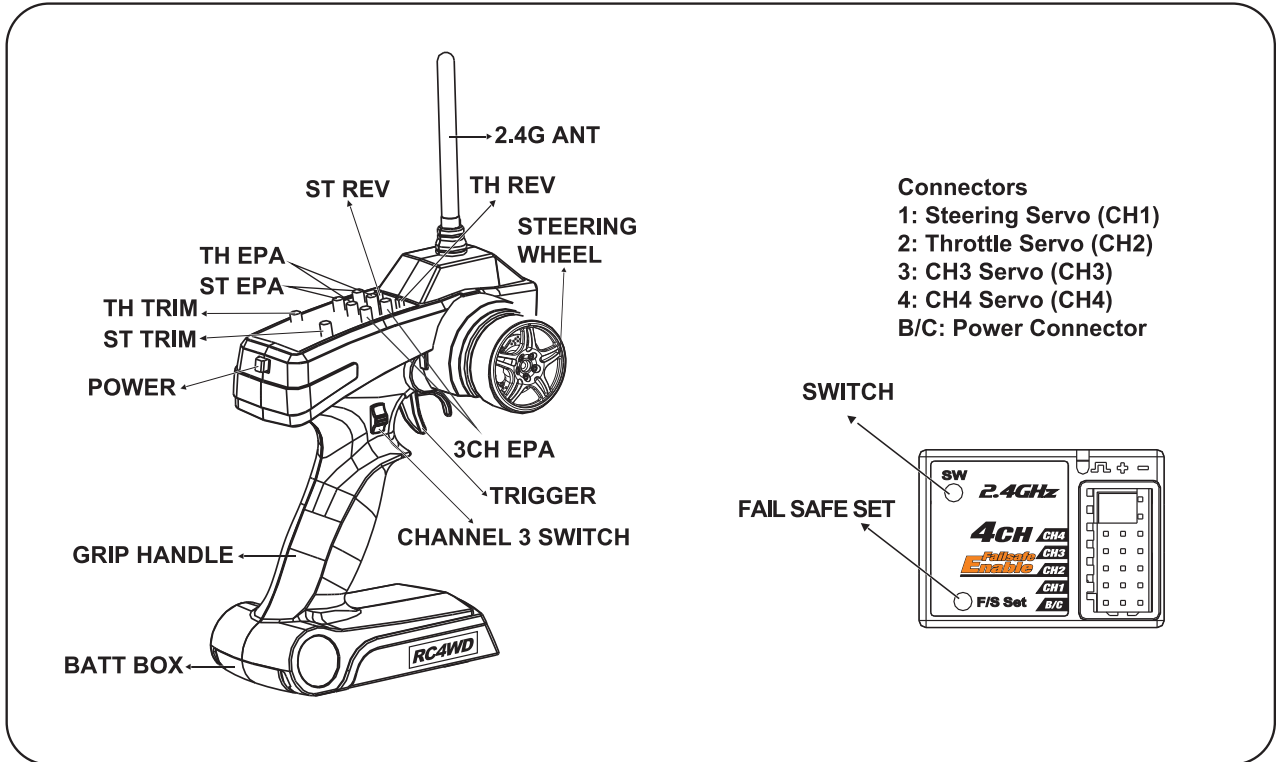




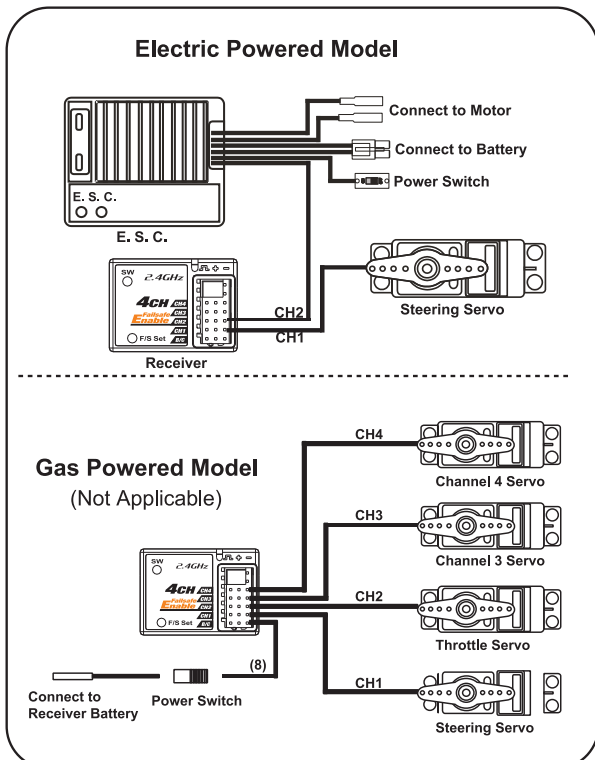


## 3C Transmitter / Radio

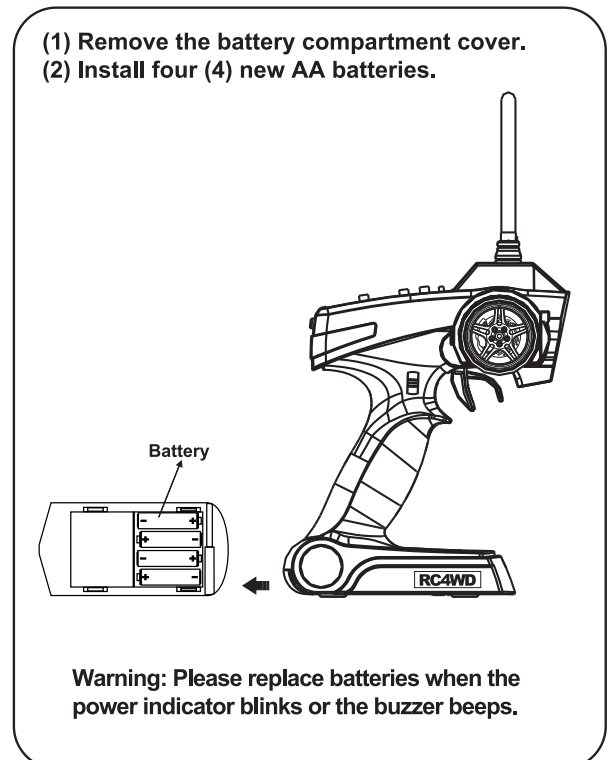
### Step 1. Transmitter and Receiver Overview



### Step 2. Receiver and Servo Connection



### Step 3. Installing the Batteries



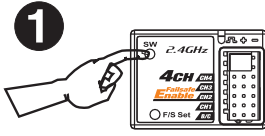
RC4WD USA 100-0012

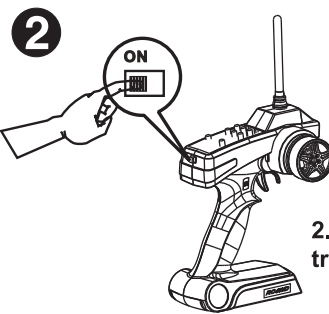


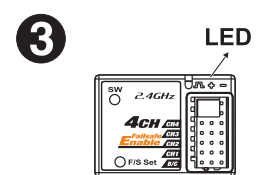


## 3C Transmitter / Radio

### Step 4. Binding the Transmitter and Receiver

- 

1. Turn on the receiver power. Press the SW switch. The receiver's LED should start flashing.
- 

2. Turn on the transmitter.
- 

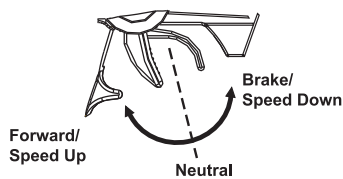
3. When the LED on the receiver becomes solid, the binding process is completed.

### Step 5. Fail Safe Function Settings

1. Set the TH, ST switches to the norm position.
2. Turn on the transmitter and receiver.
3. Press the F/S SET button, the LED on the receiver should start flashing rapidly.
4. Put the throttle trigger in the break position, press the F/S SET button. The LED should become solid.
5. For Electric Model, put the throttle trigger in the stop position when you are adjusting the setting.

### Step 6. Transmitter Adjustments

#### A. Throttle Trigger

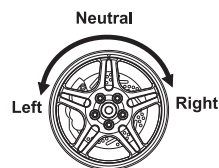


1. Push the trigger forward to slow down brake.
2. Pull the trigger backward to accelerate.

**WARNING:** 1) Keep the transmitter and receiver 40cm apart when operating.

2) Do not operate the radio system when the battery power is low.

#### B. Steering Wheel



Turn the steering wheel to the left or right to let the vehicle turn left or right.

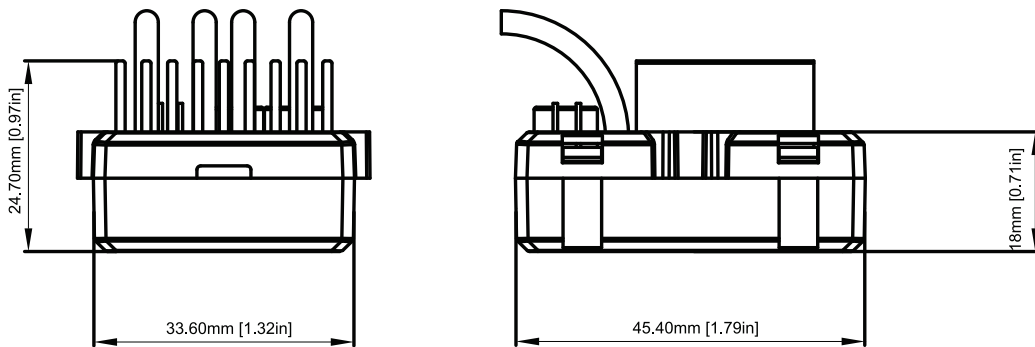


# RC4WD Outcry II Waterproof ESC

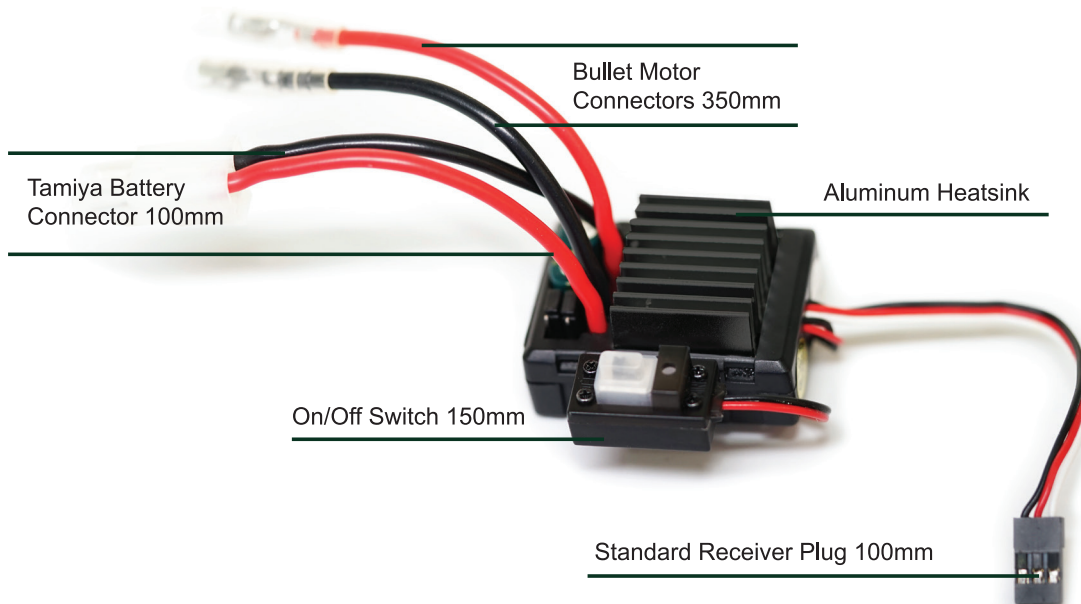
## BASIC SPECIFICATIONS

Type		Brushed Motor ESC
Model		Z-E0089
Specification		1/10 Electric ESC
Lipo		2-3S (LIPO CUT OFF)
NiMH (1.2V/PCS)		4-9 PCS
BEC Output Voltage (V) - Current (A)		5V/2A
ESC	Max Length (mm/in)	45.40mm [1.79in]
	Max Height (mm/in)	24.70mm [0.97in]
	Max Width (mm/in)	33.60mm [1.32in]
Output Current		Continuous working current is 45A, Forward steps are 320A, Backward steps are 160A.
Proper Motor		540 Motor Size/19T & Higher Winds

## SIZE SPECIFICATIONS



## OVERVIEW

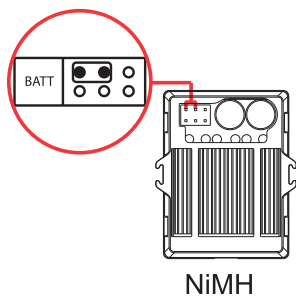




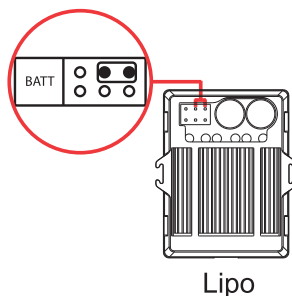
## INSTRUCTIONS

### Product Features and Characteristics

#### I. NiMH/Lipo Option

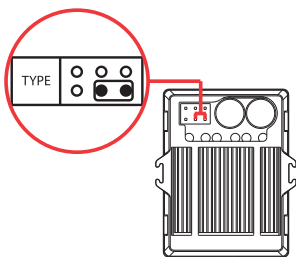


NiMH

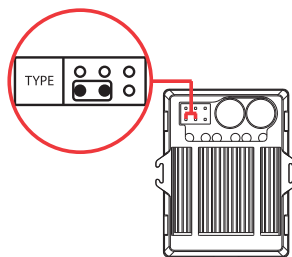


Lipo

#### II. Drag Brake/Standard Option



DRAG BRAKE



STANDARD

#### III. Micro Controller (MCU) Automatic Learning Center Point

**WARNING:** Prior to proceeding, be sure to either remove the pinion from the motor or elevate the truck so the wheels are not able to touch the ground.

1. The CPU can automatically sense if it is at its center point. Keep the switch at "ON" after connecting with power, motor will emit a "DO" sound and start the center point learning process.
2. During this time, please do not touch the throttle. If the center point is reached, motor will emit a "DO RE MI" sound. If the center point is not reached, motor will emit a "DO DO..." sound. If this happens, user must manually adjust to center point. User should hear the motor go from emitting "DO DO..." sound to emitting "DO RE MI" sound. That's the center point learning process.
3. If the ESC is unable to receive the signal, LED light will flash very quickly to alert user that there is no signal.

#### IV. Automatic Temperature Protection

The automatic temperature protection can prevent ESC from any damages caused by overheating. This product has a special design for temperature control. When the temperature is very high, the ESC will power itself off and LED light will stay on as a warning.

#### V. While in the lithium battery mode, the battery quantity will be automatically recognized.

- A. This ESC will automatically determine if it's 2S or 3S, no human operation required. Once connected to the power and the center point learning is completed, motor will emit a sound of battery quantity. For example, "MI MI" is for 2S, "MI MI MI" is for 3S.
- B. This ESC can protect the lithium battery to avoid the battery from extreme discharge.
- C. This ESC has an LED voltage warning. LED light will indicate a slow flashing when the lithium battery is being protected.
- D. This ESC has a half-power warning. When using 2S battery, if the voltage goes down to 6V, ESC will start the half-power output. If the voltage goes down to 5.8V, ESC will stop working. When using 3S battery, if the voltage goes down to 9.6V, ESC will start the half-power output. If the voltage goes down to 9V, ESC will stop working.

## IMPORTANT NOTES

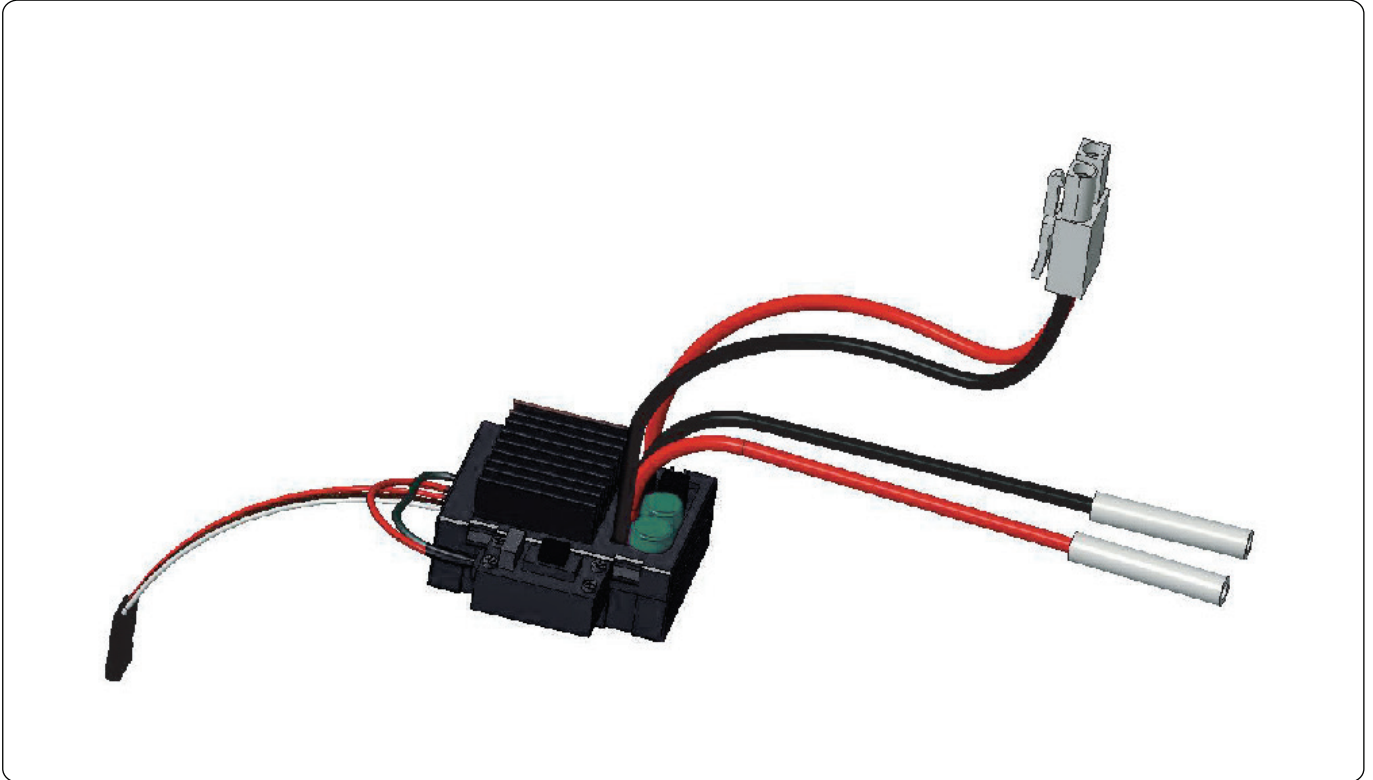
1. Prior to proceeding, be sure to either remove the pinion from the motor or elevate the truck so the wheels are not able to touch the ground.
2. Do not touch this product while in use to avoid injury. Product emits heat and thus, the heat sink may become extremely hot.



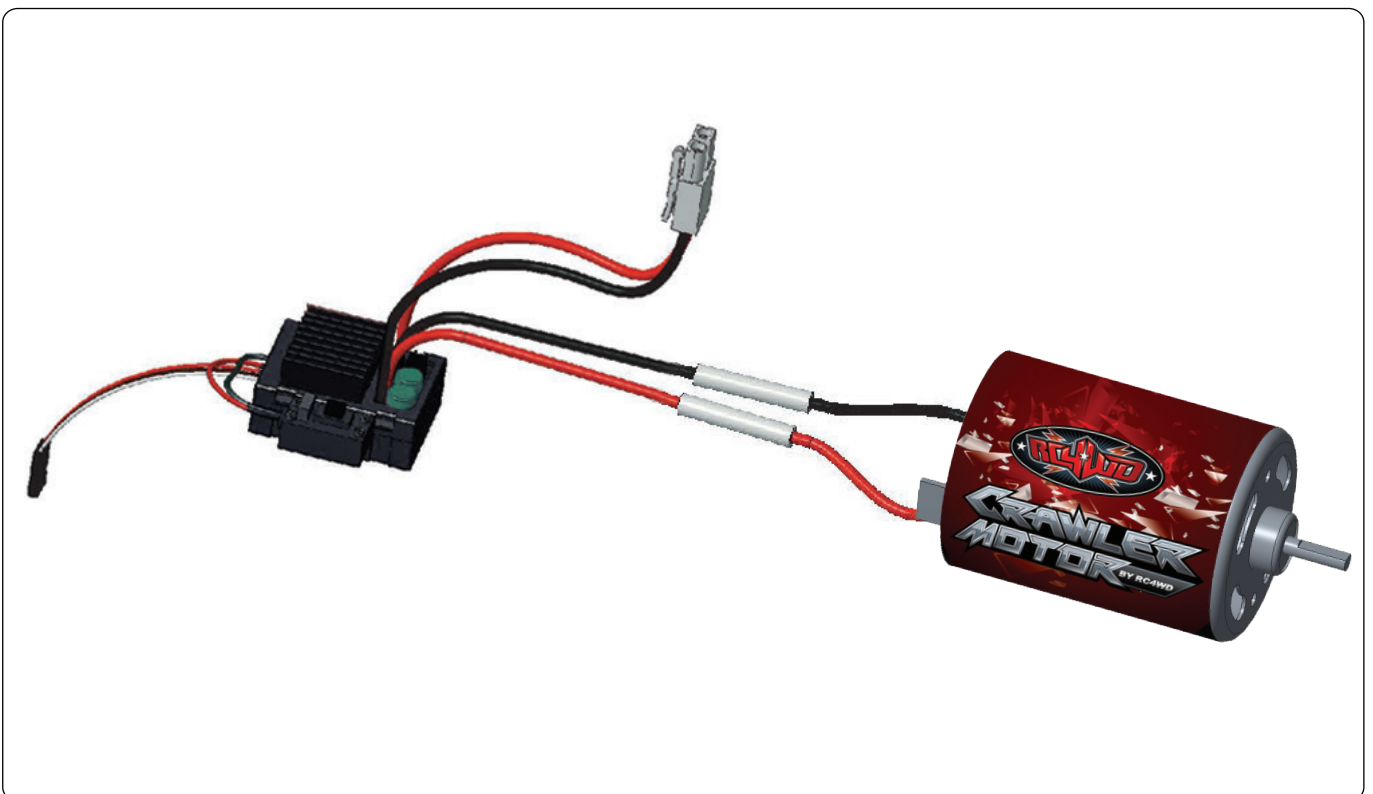
# Terrain RTR Truck Electronic Manual

This is a step by step overview of your new Terrain RTR Truck electrical items and how they connect.

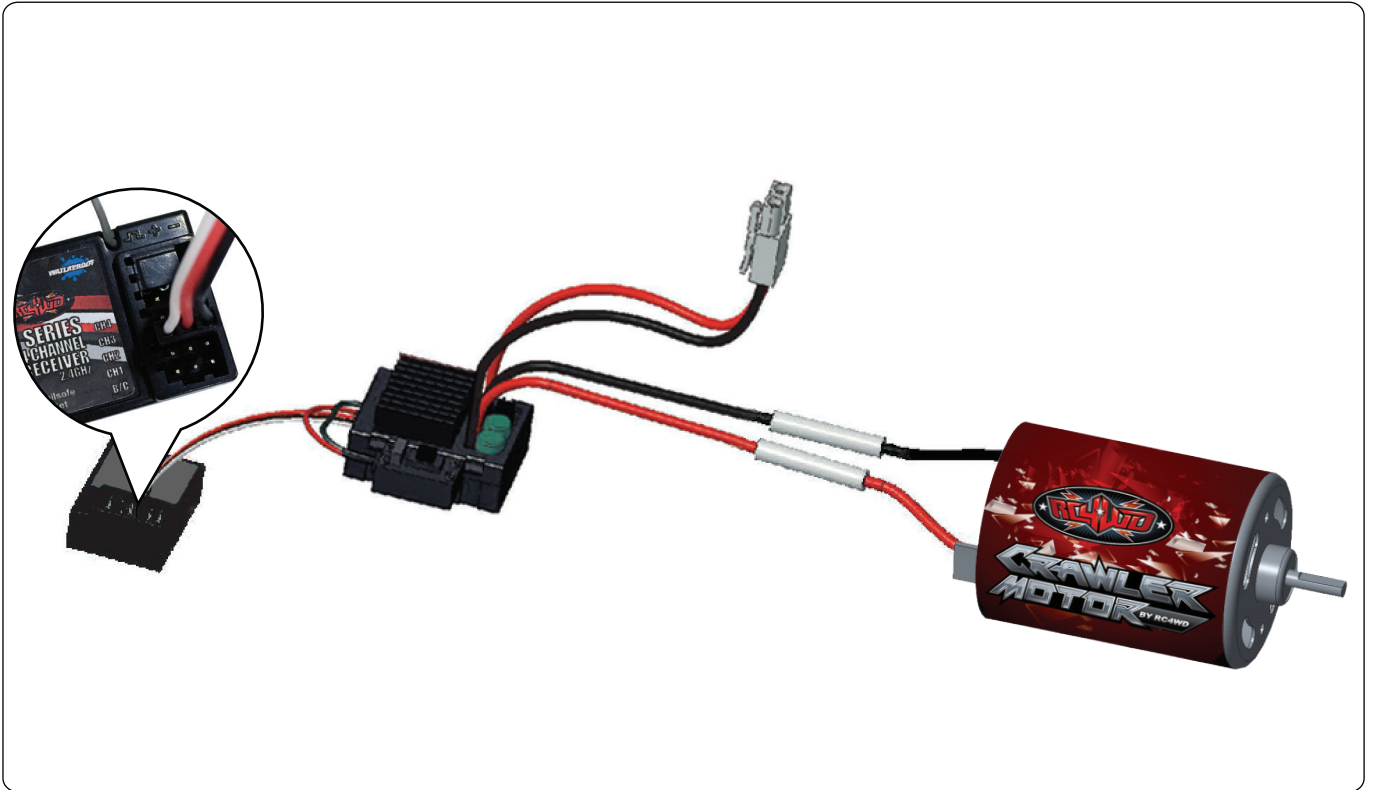
## 1. Outcry II ESC (Z-E0089)



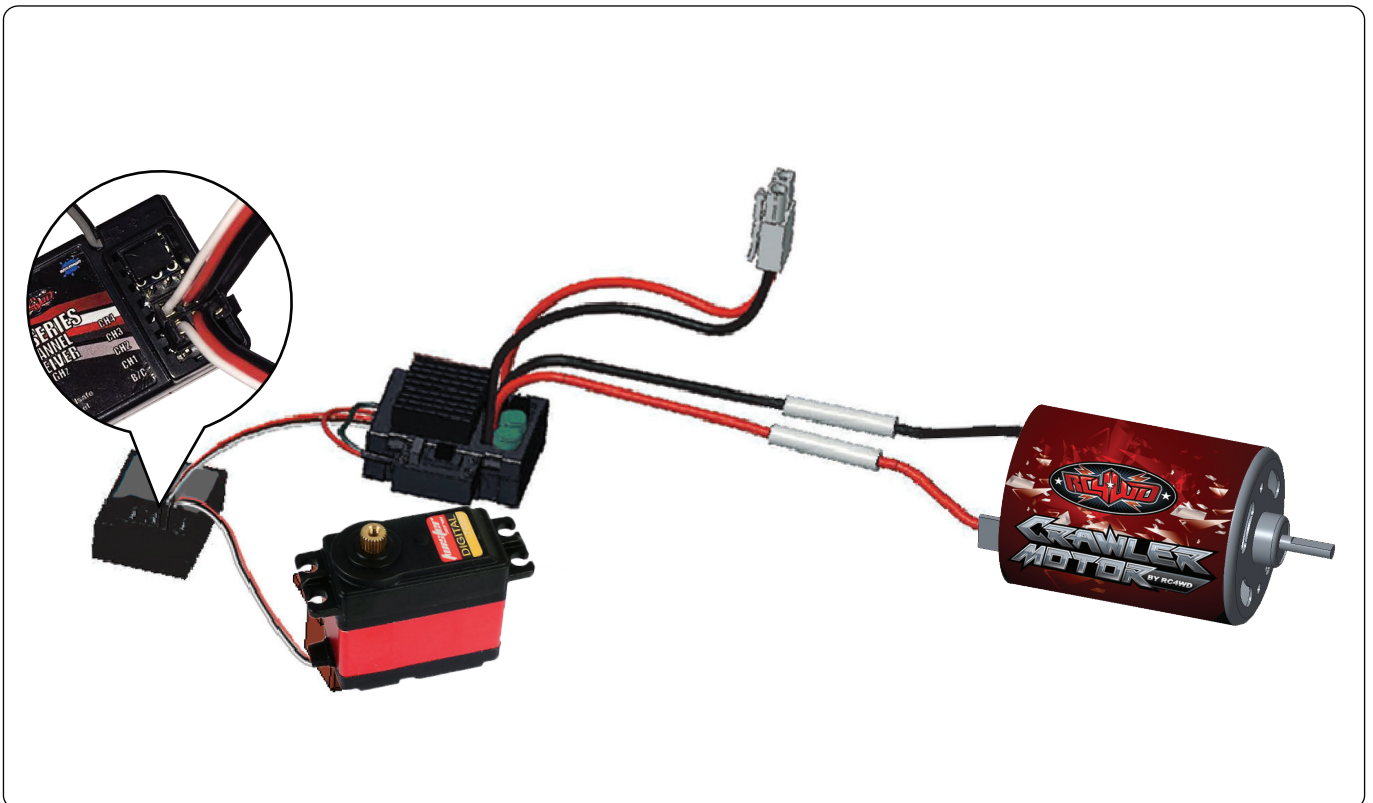
## 2. Shows the ESC connected to the Brushed 35T Crawler Motor (Z-E0005)



3. This shows the ESC to radio's receiver (Z-R0008) connected to the CH2 port. You may use this channel on the radio to control the throttle.

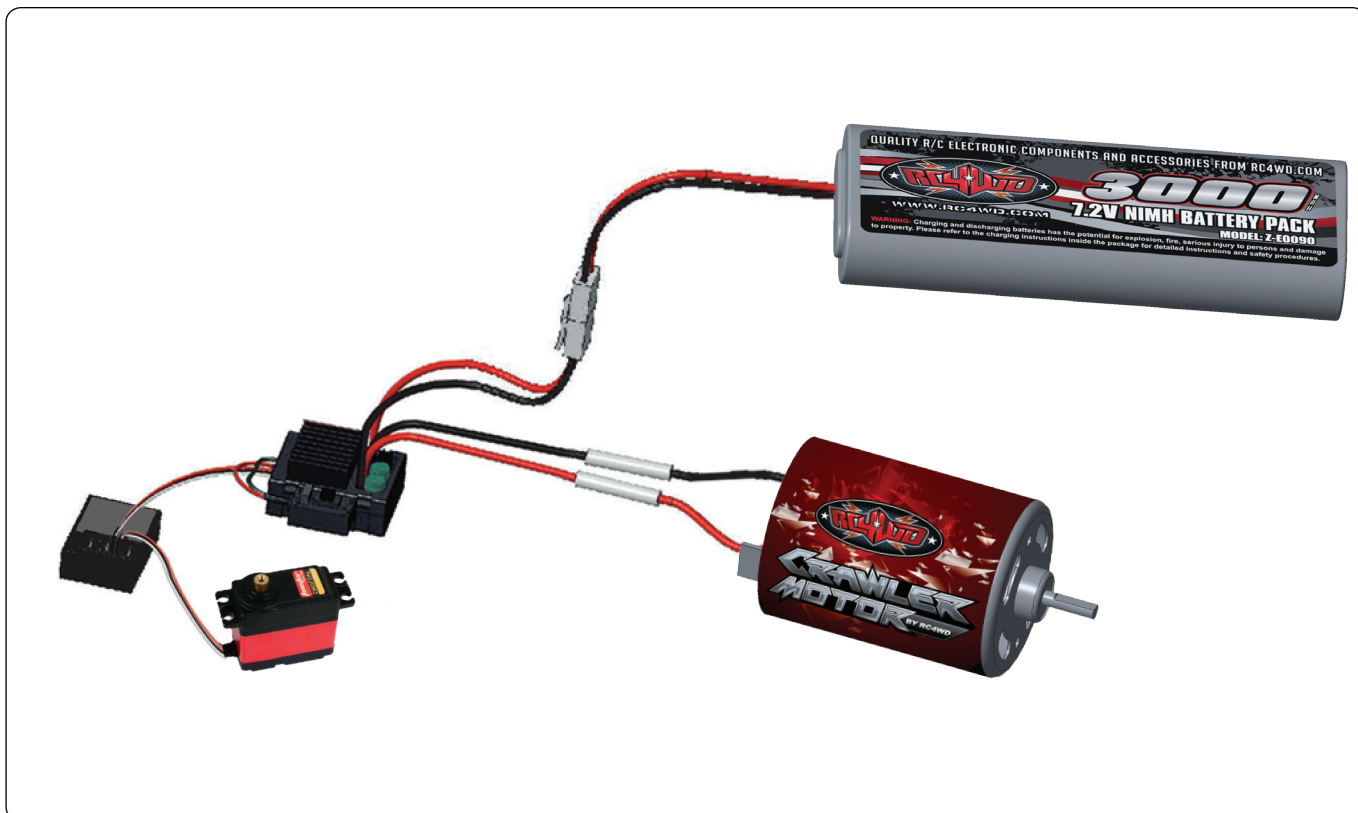


4. Connect the servo (Z-E0035) to the radio's receiver Channel 1 (CH1). This controls the truck's steering from the radio.

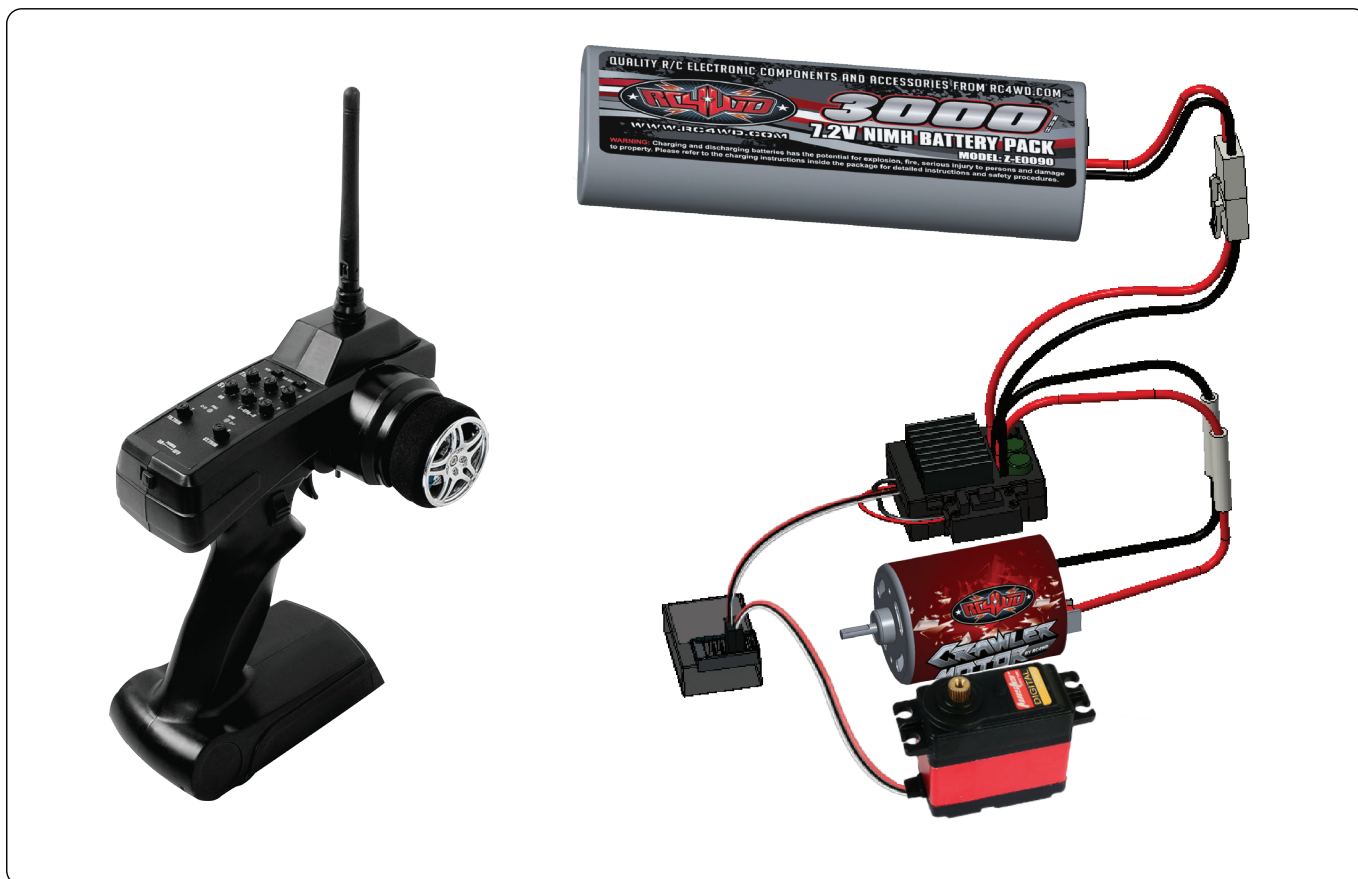




5. Shows the battery (Z-E0090) connected to the ESC



6. This final step shows all the items as they are connected on the truck



X

# Time to get your new truck setup and running

## Step 1. Remove all items from box.

(1) Use side cutters or scissors to cut the straps holding the truck to the packaging.

**NOTE:** Be careful when removing the 4x zip ties and be sure you have the truck secured as it can easily fall out of the packaging once you cut the last zip tie.

## Step 2. Read the instructions

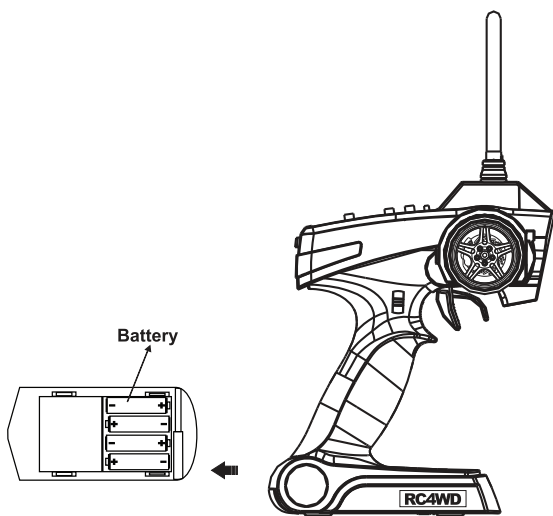
(1) Remove the battery and charger and read through the charging instructions as the battery will need to be charged before you can use your new truck.

## Step 3. Remove the clear wrap

(1) Remove the clear wrap from the front and rear of the trucks body.

## Step 4. Installing the Batteries

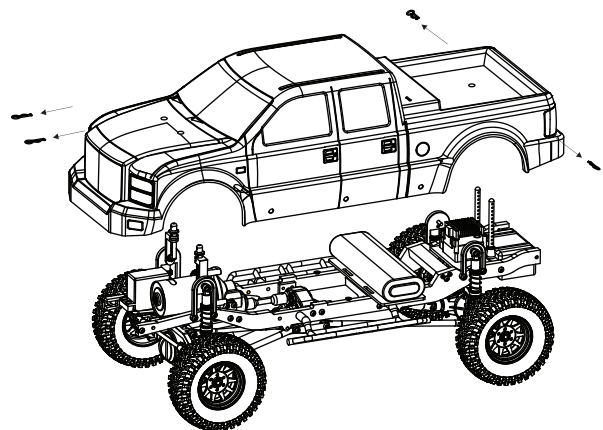
- (1) Remove the battery compartment cover.
- (2) Install four (4) new AA batteries.



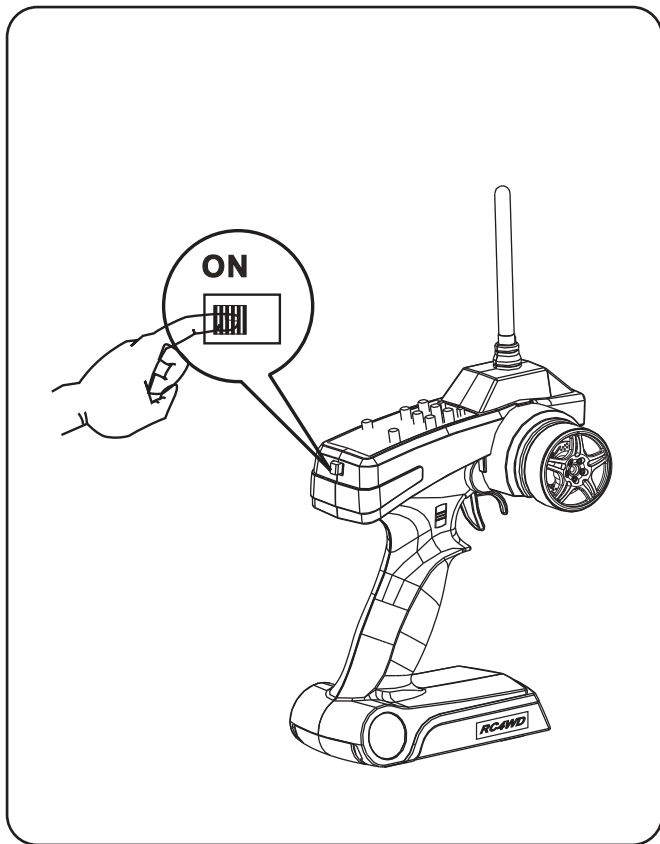
**Warning:** Please replace batteries when the power indicator blinks or the buzzer beeps.

## Step 5. Remove RC4WD Terrain Body

- (1) Remove the four clips located in the bed and top of the truck.

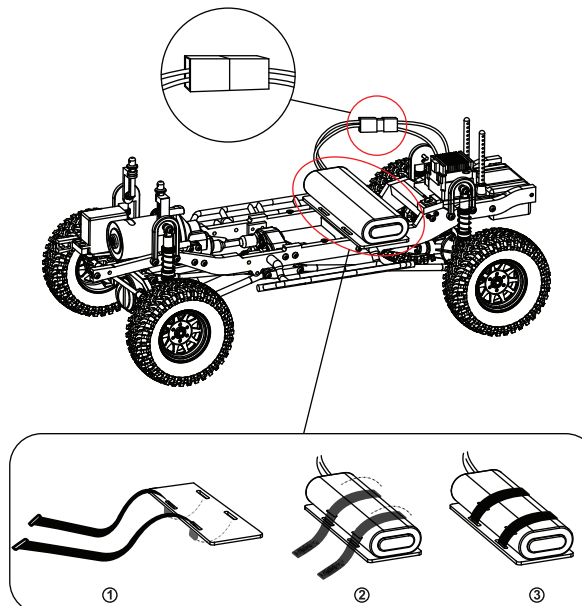


### Step 6. Turn on the transmitter

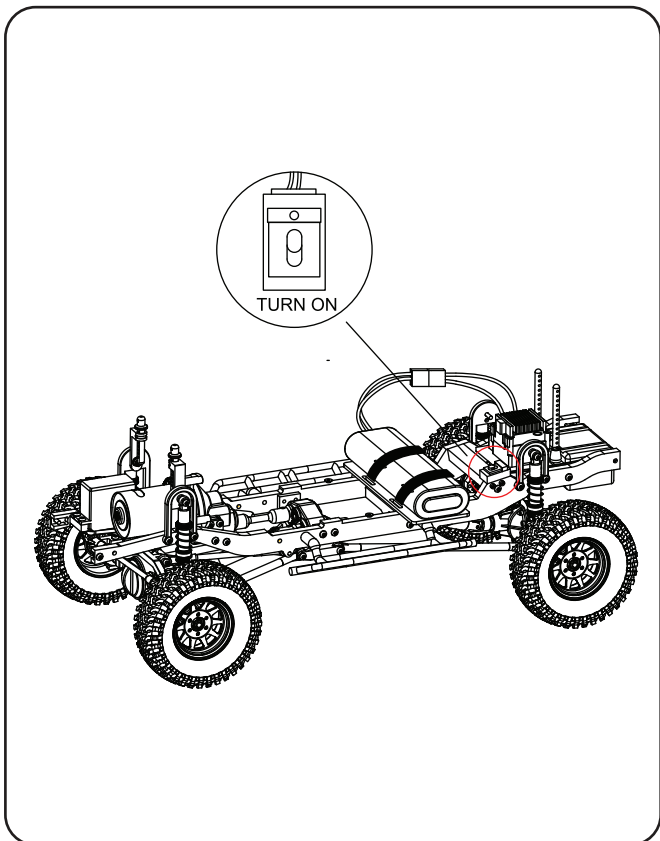


### Step 7. install the velcro straps

- (1) Install the supplied velcro strap.
- (2) Install your new RC4WD 3000 mah Battery Pack.
- (3) Plug in Battery

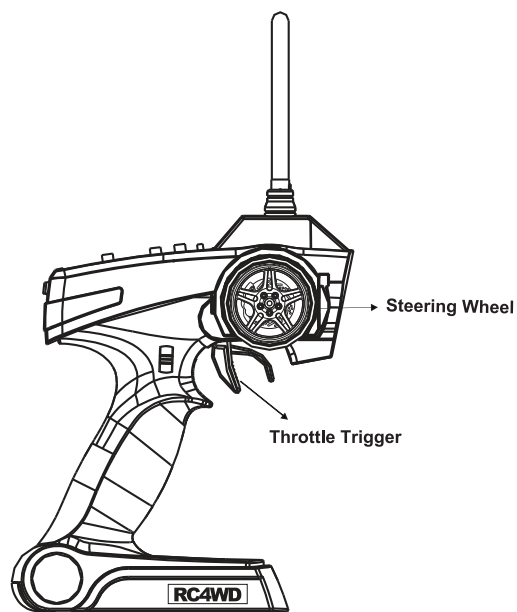


### Step 8. Turn on the ESC Switch to Bind/On



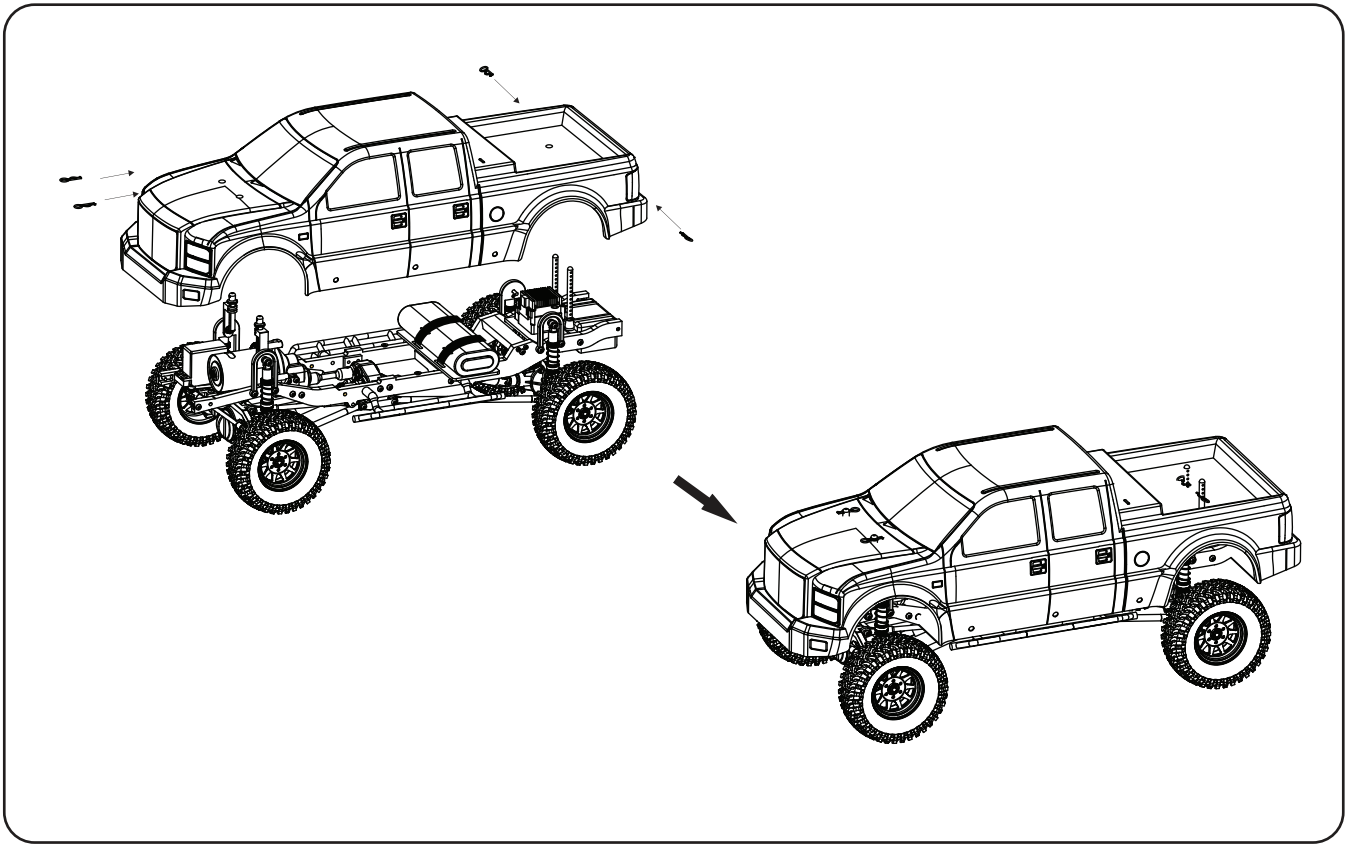
### Step 9. Transmitter Adjustments

- (1) Get familiar with the steering and throttle.





## Step 10. Reinstall the body



Go Create an Adventure and share it with Us.  
Make sure to use @rc4wd on Facebook and hashtag #rc4wd on Instagram.



## Replacement Parts

- Z-U0027 Transfer Case and Lower 4 Link Mount for Gelande 2 Chassis
- Z-S0791 Servo Mounts for Gelande 2 Chassis
- Z-S0798 Front Shock Hoops for Gelande 2 Chassis
- Z-S0799 Rear Shock Hoops for Gelande 2 Chassis
- Z-S0792 Battery Plate for Gelande 2
- Z-S0802 R3 Single Speed Transmission Mounts
- Z-S0803 Metal Drive Coupling for Gelande 2
- Z-S0807 59mm (2.32") Aluminum Link for Gelande 2
- Z-S0805 73mm (2.87") Aluminum Link for Gelande 2
- Z-S0819 70mm (2.75") Aluminum Link for Gelande 2
- Z-S1685 K44 Cast Steering Link Set
- Z-U0024 Hammer Transfer Case
- Z-W0210 OEM Stamped Steel 1.9" Beadlock Wheels (Black)
- Z-S0822 Heavy Duty Metal Servo Arm 25t Futaba
- Z-U0028 R3 Scale Single Speed Transmission
- Z-S0398 M3 Mini Plastic Rod End
- Z-S0399 M3 Straight Medium Length Plastic Rod End
- Z-S0401 M3 Offset Short Plastic Rod End
- Z-S0403 M3 Long Straight Plastic Rod End
- Z-S0592 Fuel Cell Radio Box
- Z-A0101 K44 Ultimate Scale Cast Front Axle
- Z-A0096 K44 Ultimate Scale Cast Rear Axle
- Z-S1148 Metal Drive Extended Coupling
- Z-S1811 Ultra Punisher Shafts (93.7mm - 115mm / 3.69" - 4.53") 5mm Hole
- Z-S1730 RC4WD Marlin Crawlers Side Plastic Sliders for TF2 LWB
- Z-S0402 M3 Short Bent Plastic Rod End
- Z-B0016 Silver Steel Body Clips 1.21mm
- Z-T0086 Prowler XS Scale 1.9" Tires
- Z-D0039 Dual Spring 80mm Scale Black Shocks
- Z-S0794 Gelande 2 Front 3 Link & Panhard Mount (Black)
- Z-S0795 Gelande 2 Rear 4 Link Mount
- Z-E0035 Twister High Torque Metal Gear Digital Servo
- Z-E0005 RC4WD 540 Crawler Brushed Motor (35T)
- Z-E0089 Outcry II Waterproof ESC
- Z-R0009 RC4WD XR3 3-Channel 2.4Ghz Transmitter & Receiver Radio
- Z-B0057 1/10 Crusher 4 Door Heavy Duty Truck Body (Painted)
- Z-S1718 RC4WD AA Batteries
- Z-E0090 RC4WD 6-Cell 3000mAh NiMH Battery Pack
- Z-E0092 RC4WD NiMH Peak Battery Charger
- Z-R0008 XR4 XR3 2.4Ghz 4-Channel Blue Receiver
- Z-S0240 Heavy Duty Spool Gear and Pinion for K44 Axle
- Z-S0834 RC4WD Superlift Suspension Lift Block Set



## Optional Parts

- Z-A0058 The Ultimate Scale Yota Cast Axles (Front)
- Z-A0061 The Ultimate Scale 1.9" Yota Cast Straight Rear Axles
- Z-A0080 Yota II Ultimate Scale Cast Axle (Front)
- Z-A0081 Yota II Ultimate Scale Cast Axle (Rear)
- Z-A0048 K44 Ultimate Scale Front Axle
- Z-A0049 K44 Ultimate Scale Rear Axle
- Z-U0029 Triton Transfer Case (1:1)
- Z-S1629 M3 Offset Short Aluminum Rod Ends (Silver)
- Z-S1630 M3 Short Straight Aluminum Rod Ends (Silver)
- Z-S1631 M3 Offset Short Aluminum Rod Ends (Red)
- Z-S1632 M3 Short Straight Aluminum Rod Ends (Red)
- Z-S1633 M3 Offset Short Aluminum Rod Ends (Blue)
- Z-S1635 M3 Offset Short Aluminum Rod Ends (Black)
- Z-S1636 M3 Short Straight Aluminum Rod Ends (Black)
- Z-S1638 M3 Medium Straight Aluminum Rod Ends (Silver)
- Z-S1640 M3 Medium Straight Aluminum Rod Ends (Red)
- Z-S1642 M3 Medium Straight Aluminum Rod Ends (Blue)
- Z-S1644 M3 Medium Straight Aluminum Rod Ends (Black)
- Z-S1774 RC4WD 1/10 Hi-Lift Extreme Jack
- Z-S0720 RC4WD 1/10 Warn Scale Manual Locking Hubs
- Z-S1224 RC4WD 1/8 Warn Scale Manual Locking Hubs
- Z-S0085 1/10 Scale Traffic Cone (Yellow)
- Z-S1796 Tough Armor Steel Side Sliders for Trail Finder 2 LWB
- Z-S1843 Scale Garage Series 1/10 STILL Chainsaw
- Z-S1808 Scale Garage Series 1/10 Water Jerry Can
- Z-S1810 Scale Garage Series 1/10 Unleaded Fuel Jerry Can
- Z-S1812 Scale Garage Series 1/10 Diesel Jerry Can
- Z-S1814 Scale Garage Series 1/10 Custom Jerry Can
- Z-S1816 Scale Garage Series 1/10 Oil Jerry Can
- Z-S1776 Scale Garage Series 1/10 Metal Tool Box
- Z-S0383 1/10 Boulder Metal Aluminum Scale Shovel with D-Grip
- Z-S0588 Chubby 6 TON Scale Jack Stands
- Z-S0731 Chubby Mini 3 TON Scale Jack Stands
- Z-S0452 Boulder Metal Scale Shovel with D-Grip (Wood)
- Z-S0530 1.9"/2.2" 6 Lug Steel Wheel Hex Hub with Brake Rotor
- Z-S0774 1.9"/2.2" 6 Lug Steel Wheel Hex Hub +3 Offset
- Z-S0779 1.9"/2.2" 6 Lug Steel Wheel Hex Hub +6 Offset
- Z-S0780 1.9"/2.2" 6 Lug Steel Wheel Hex Hub +9 Offset
- Z-R0006 RC4WD XR4 4-Channel 2.4Ghz Transmitter & Receiver Radio
- Z-E0001 RC4WD 540 Crawler Brushed Motor (80T)
- Z-E0002 RC4WD 540 Crawler Brushed Motor (65T)
- Z-E0003 RC4WD 540 Crawler Brushed Motor (55T)
- Z-E0004 RC4WD 540 Crawler Brushed Motor (45T)



Z-E0007 Outcry Crawler Single Motor Electronic Speed Controller (ESC)  
 Z-E0059 RC4WD KC HiLiTES 1/10 C Series High Performance LED Light Bar (100mm/4")  
 Z-E0041 RC4WD Brushed 45T Boost Rebuildable Crawler Motor  
 Z-E0044 RC4WD Brushed 55T Boost Rebuildable Crawler Motor  
 Z-E0045 RC4WD Brushed 35T Boost Rebuildable Crawler Motor  
 Z-E0063 Twister Ultimate High Performance Waterproof Servo  
 Z-E0065 540 Crawler Brushed Motor 20T  
 Z-E0067 540 Crawler Brushed Motor 27T  
 Z-E0068 RC4WD Outcry Crawler Water-Resistant Brushed Speed Control ESC Unit  
 Z-G0055 64T Delrin Spur Gear for R3 2 Speed Transmission  
 Z-G0064 56T 32P Delrin Spur Gear  
 Z-G0065 12T 32P Hardened Steel Pinion Gear  
 Z-G0066 18T 32P Hardened Steel Pinion Gear  
 Z-G0068 52T 32P Delrin Spur Gear  
 Z-S0704 Slipper Clutch Assembly for R3 and AX2 Transmissions  
 Z-S1093 RC4WD Billet Aluminum Fuel Cell Radio Box (Black)  
 Z-S1122 RC4WD Billet Aluminum Fuel Cell Radio Box (Red)  
 Z-S1323 RC4WD 59mm (2.32") Internally Threaded Titanium Link  
 Z-S1327 RC4WD 70mm (2.76") Internally Threaded Titanium Link  
 Z-S1329 RC4WD 73mm (2.87") Internally Threaded Titanium Link  
 Z-D0012 RC4WD Superlift Superide 80mm Scale Shock Absorbers  
 Z-D0015 RC4WD Superlift Superide 90mm Scale Shock Absorbers  
 Z-D0034 RC4WD 70mm Old Man Emu Nitrocharger Sport Shocks by ARB  
 Z-D0036 RC4WD 80mm Old Man Emu Nitrocharger Sport Shock by ARB  
 Z-D0038 RC4WD 90mm Old Man Emu Nitrocharger Sport Shocks by ARB  
 Z-D0035 RC4WD King Off-Road Scale Dual Spring Shocks (80mm)  
 Z-S0826 Scale Steel Punisher Shaft V3 (90.5mm - 110.5mm/3.56" - 4.35") 5mm Hole (Front)  
 Z-S0522 Punisher Shaft II (90mm - 120mm/3.54" - 4.72") 5mm F-350 Hi-Lift  
 Z-S1591 Punisher Shaft II (80mm - 100mm/3.15" - 3.93") 5mm Hole (After)  
 Z-S1054 Scale Steel Punisher Shaft (77mm - 100mm/3.03" - 3.94") (After)  
 Z-T0005 Dirt Grabber 1.9" All Terrain Tires  
 Z-T0049 Rock Creepers 1.9" Scale Tires  
 Z-T0050 Mud Slingers 1.9" Tires  
 Z-T0051 Mud Thrashers 1.9" Scale Tires  
 Z-T0119 RC4WD Dick Cepek FC-II 1.9" Tire  
 Z-T0150 RC4WD Goodyear Wrangler Duratrac 1.9" Scale Tires  
 Z-E0066 RC4WD 1/10 Baja Designs Squadron Pro LED Lights  
 Z-E0095 RC4WD KC HiLiTES 1/10 C Series High Performance LED Light Bar (120mm/4.72")  
 Z-S1122 RC4WD Billet Aluminum Fuel Cell Radio Box (Red)  
 Z-S1093 RC4WD Billet Aluminum Fuel Cell Radio Box (Black)  
 Z-S0756 RC4WD Drive Flange Wheel Nut Cover  
 Z-S1266 Scale Rear Hubs V2  
 Z-D0005 The Ultimate Scale Shocks 80mm (Silver)  
 Z-D0012 RC4WD Superlift Superide 80mm Scale Shock Absorbers  
 Z-D0035 RC4WD King Off-Road Scale Dual Spring Shocks (80mm)





Z-D0036 RC4WD 80mm Old Man Emu Nitrocharger Sport Shock by ARB  
Z-D0055 RC4WD King Off-Road Dual Spring Shocks (80mm Medium OD)  
Z-S0988 RC4WD Superlift Adjustable Steering Stabilizer (65mm-90mm)  
Z-S0986 RC4WD Superlift Adjustable Steering Stabilizer (90mm-120mm)  
Z-W0156 Onyx 1.9" Beadlock Wheels  
Z-W0160 Octane 1.9" Beadlock Wheels  
Z-W0162 Rugged 1.9" Scale Beadlock Wheels  
Z-W0171 Bombshell 1.9" Beadlock Wheels (Black)  
Z-W0200 RC4WD Fuel Offroad Maverick 1.9" Beadlock Wheels  
Z-W0202 RC4WD Fuel Offroad Trophy 1.9" Beadlock Wheels (Black/Gray)  
Z-W0204 RC4WD Toyo 1.9" Beadlock Wheels  
Z-W0207 Fantom 1.9" Beadlock Wheels  
Z-W0217 RC4WD Ballistic Offroad Scythe 1.9" Beadlock Wheels  
Z-W0220 Rugged 1.9" Beadlock Wheels  
Z-W0226 Skavenger 1.9" Beadlock Wheels  
Z-W0228 Breaker 1.9" Beadlock Wheels  
Z-W0231 Shelby 1.9" Beadlock Wheels  
Z-W0237 RC4WD Mickey Thompson Metal Series MM-366 1.9" Beadlock Wheels  
Z-W0238 RC4WD Mickey Thompson Street Comp SC-5 1.9" Beadlock Wheels (Hyper Silver)  
Z-W0239 RC4WD RBP Glock 1.9" Beadlock Wheels  
Z-W0240 Deceptive 1.9" Beadlock Wheels  
Z-W0246 RC4WD Dick Cepek Terrain 1.9" Beadlock Wheels  
Z-W0249 RC4WD Mickey Thompson MT Metal Series MM-164M 1.9" Wheels  
Z-W0251 Gold Mesh 1.9" Beadlock Wheels  
Z-W0254 RC4WD Rotiform SNA 1.9" Beadlock Wheels





[www.rc4wd.com](http://www.rc4wd.com)



**RC4WD**

618 Blossom Hill Rd. Ste. 201  
San Jose, CA 95123  
Web: [www.rc4wd.com](http://www.rc4wd.com) - Email: [support@rc4wd.com](mailto:support@rc4wd.com)